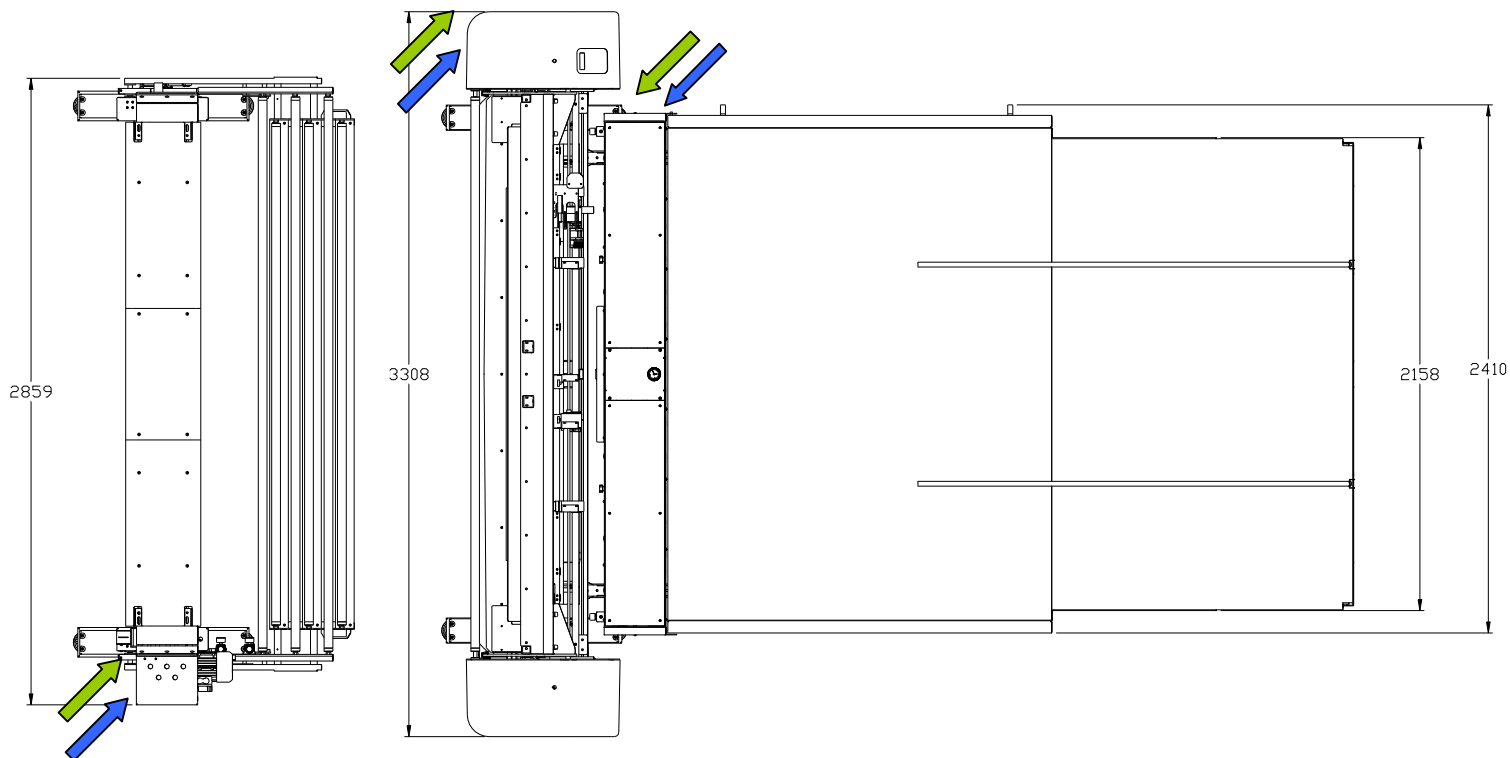
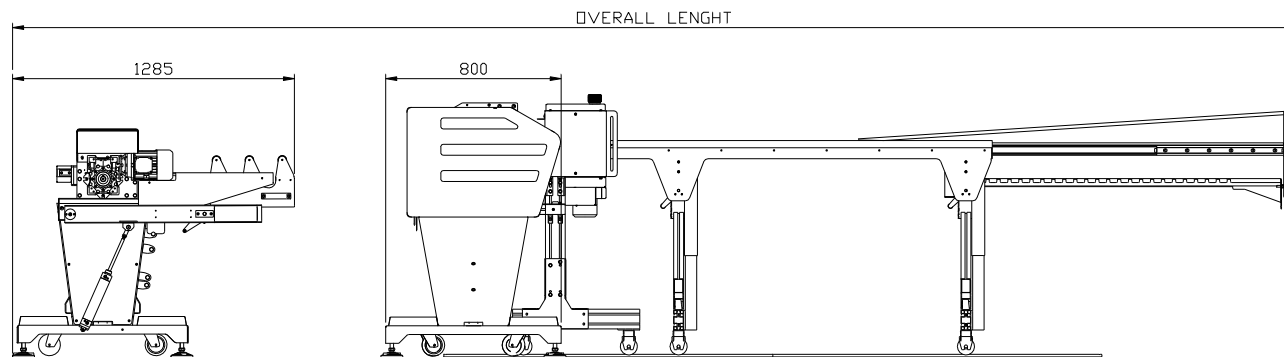


OVERALL LENGTH MAX	5850
OVERALL LENGTH MIN	4650



Fotopa Srl
 Via G. Marconi, 101
 13854 Quaregna (BI) - ITALY
 Tel. +39 015 925344
 Fax +39 015 925346
 info@fotopa.com

SITE PREPARATION DRAWING

XLD 210 + JRU 210 + ST 210

23/07/2019

AIR CONNECTION

CUTTER: 5 Bar - Rapid fitting for plastic tube adaptor Ø 8 - 12

Air Consumption : 0.1 l x cycle

FEEDER: 6 bar - Rapid fitting for plastic tube Ø 8

DELIVERY TABLE: 8 bar - Rapid fitting for plastic tube Ø 8

Air Consumption : up to 300 l/min

POWER SUPPLY

CUTTER: 230 V.ac 250W.

FEEDER: 230 V.ac 400W

DELIVERY TABLE: 230 V.ac 200W